

EN ZM4.WALL Installation Manual
 DE ZM4.WALL Installationsanleitung
 FR ZM4.WALL Manuel d'installation
 ES ZM4.WALL Manual de instalación

Wall/Panel Mount Bracket
 Wandmontageadapter
 Kit de montage mural
 Soporte de montaje en pared/panel

Doc. ID: PU-200.015.90-xxA (2019-01-10-MR1)

Product Description

The ZM4.WALL is a mechanical accessory to mount a device on a flat surface or panel without utilizing a DIN-rail. The brackets can be mounted without detaching the DIN-rail brackets.

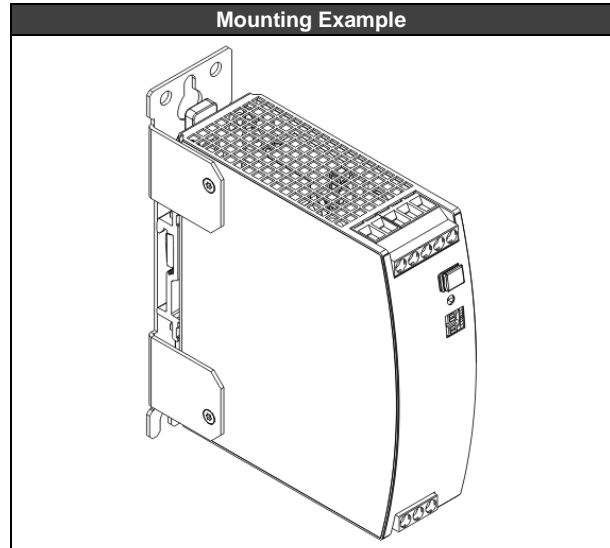
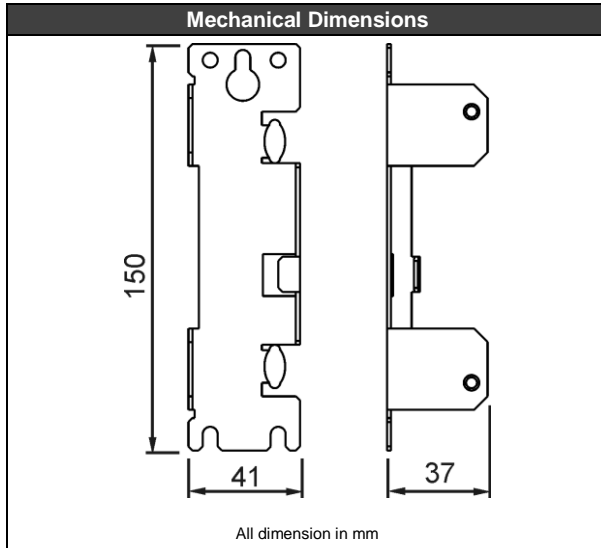
The order number ZM4.WALL contains one bracket and two screws needed for one device.

Intended Use

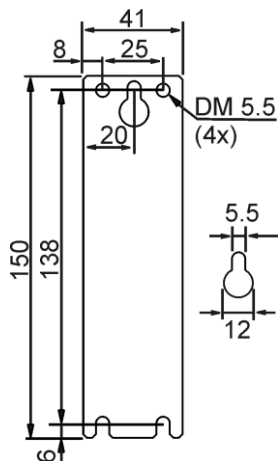
This mechanical accessory is designed for DIN-rail devices. Check the product datasheet of the DIN-rail device to confirm that it is suitable for the desired device.

Technical Data

Size (width x height x depth) 41x150x37mm
 Weight 95g / 0.21lb



Hole Pattern for Wall Mounting



Installation Instructions

- 1) Insert the nose of the bracket between the DIN-rail bracket and the right side of the housing of the device.
- 2) Click the bracket on the device.
- 3) Turn the device to the right side
- 4) Secure the bracket with the two provided screws. Use 0.8Nm (± 0.2 Nm) to tighten the screws.

Installation Instructions

